

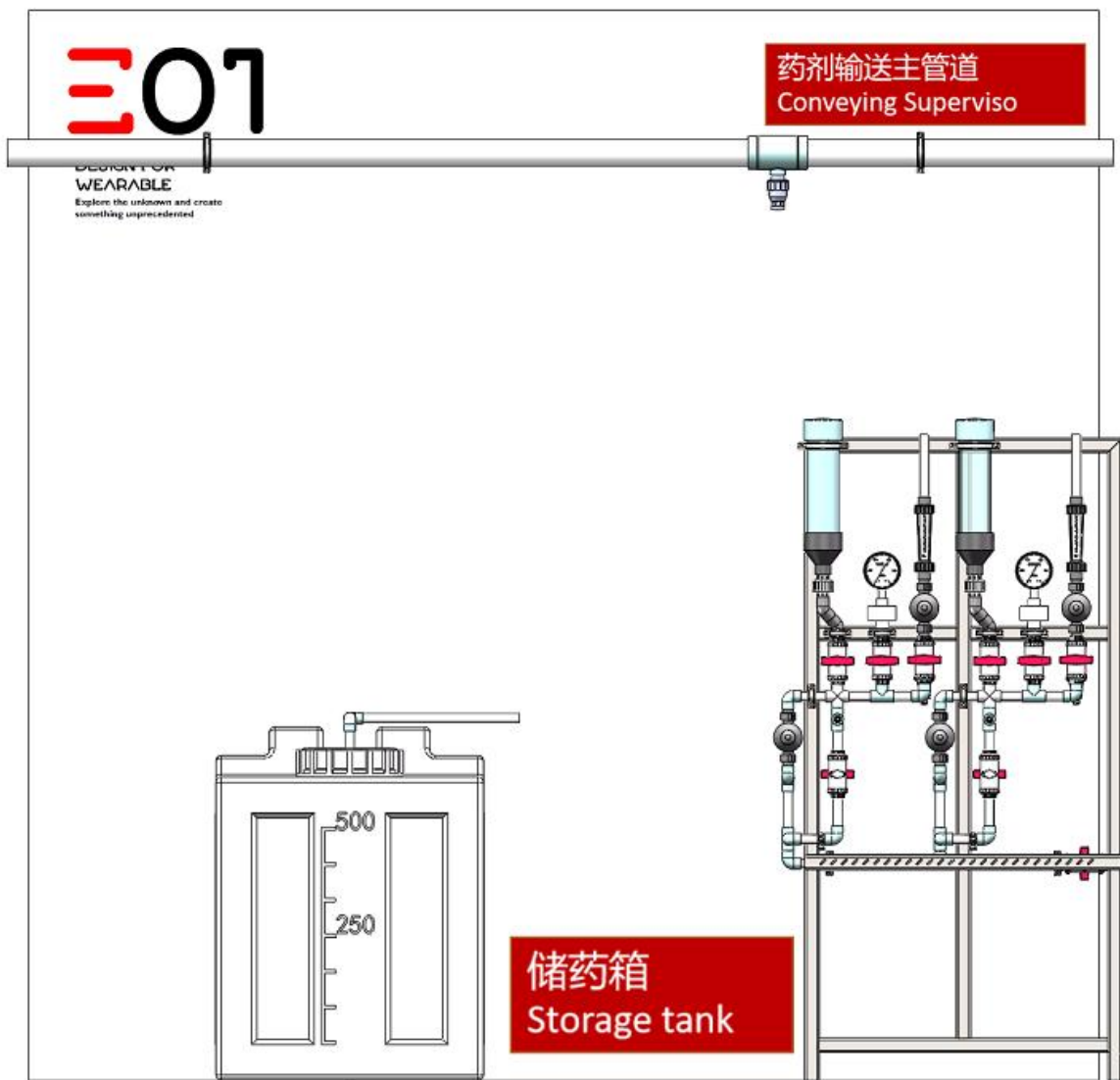
EO1

电微分泵单机快速使用指南
Quick installation instructions

OUTICTM

浙江奥泰克自动化技术有限公司
Zhe Jiang OUTIC Technology Co., Ltd

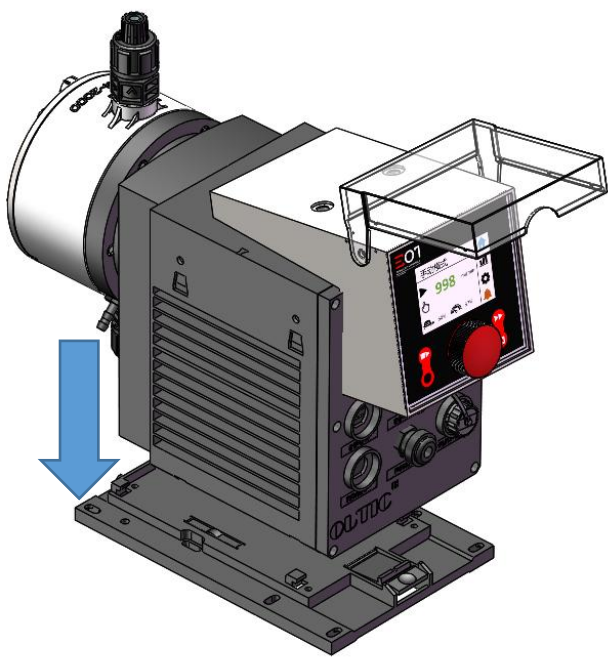
E01双机1号立式总成安装 Wall mounted installation



STEP 1

将1号立式总成机架放置于储药箱距离1-2米处，
确保机架和储药箱在同一水平面放置。
Place the No. 1 vertical assembly frame at a distance of 1-2m
from the medicine storage box, Ensure that the rack and the
medicine storage box are placed on the same level.

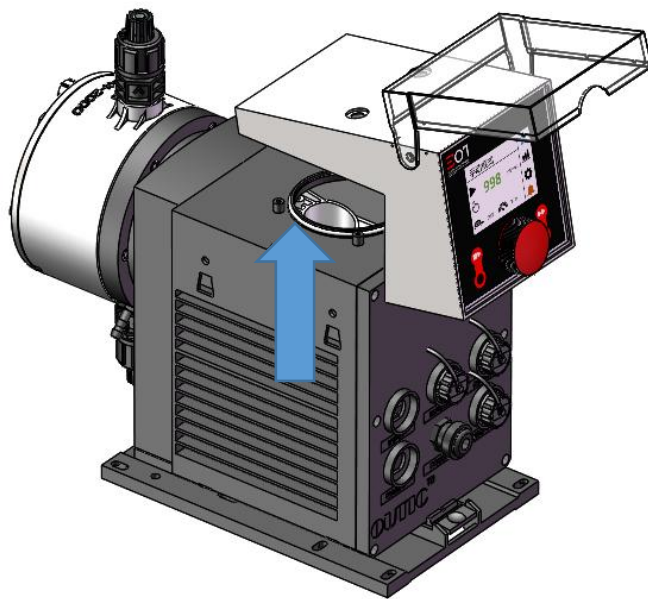
E01双机1号立式总成安装 Wall mounted installation



STEP 2

从包装盒内取出E01单机模块，并将其卡入机架固定座上。

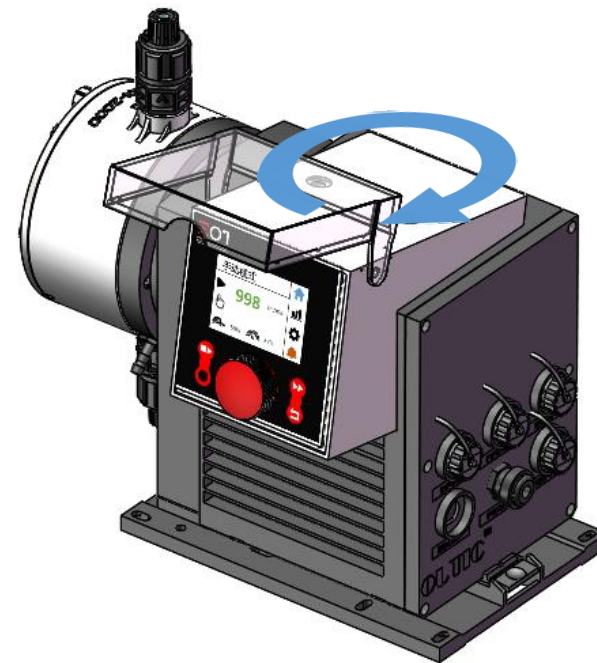
Take E01 module out of the packaging box and clip it into the rack fixing seat.



STEP 3

使用螺丝刀将控制模块紧固螺栓拧出，轻轻向上将其抬高5cm左右，注意切勿将连接线缆拉断。

Screw out the control module fastening bolts with a screwdriver, Gently lift it up by about 5cm, and be careful not to Disconnect the connecting cable.

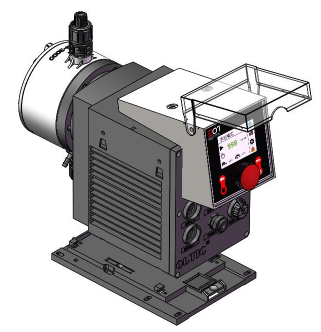
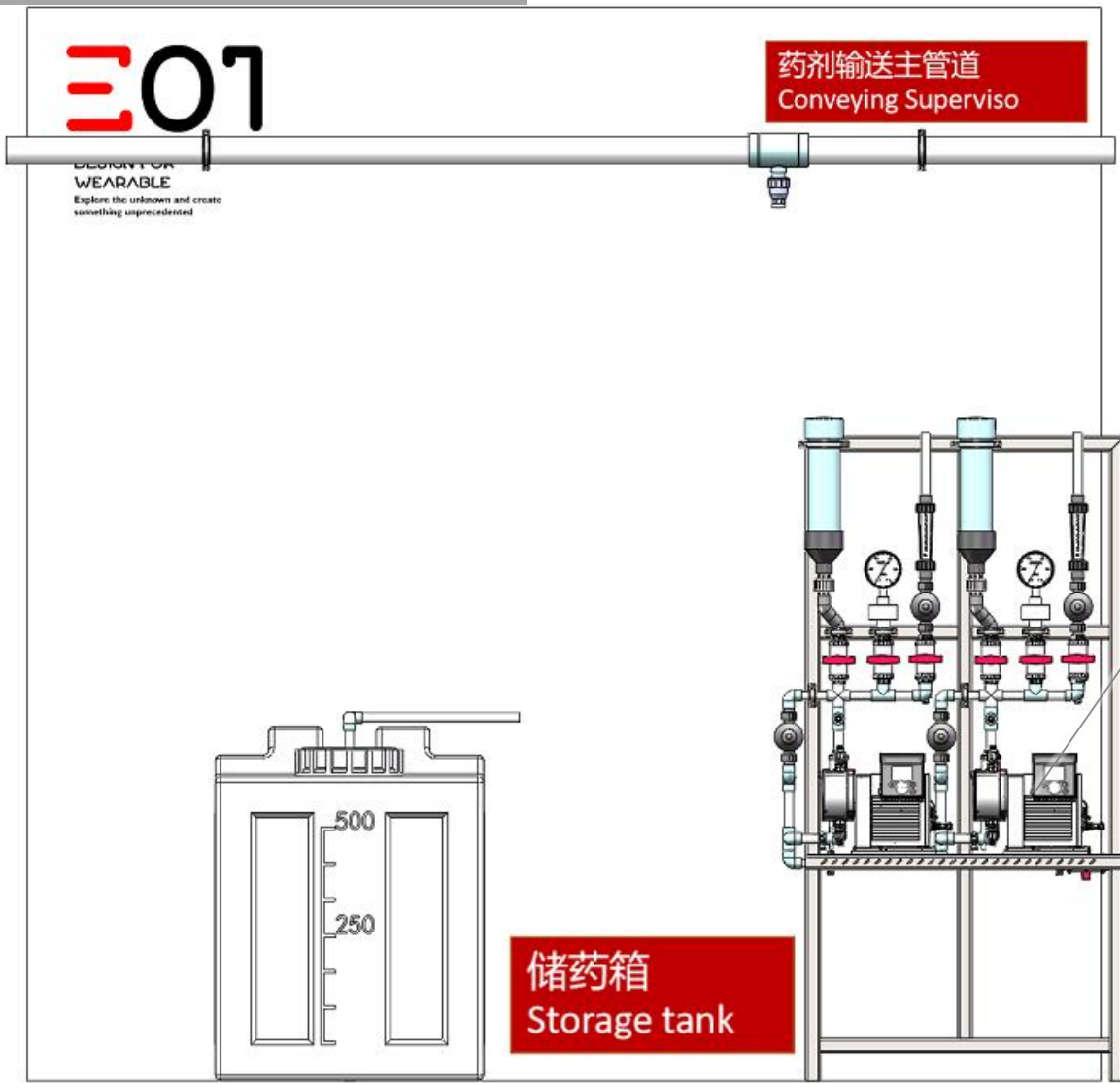


STEP4

旋转90°后，使用螺丝刀将控制模块紧固。以方便使用运行时的操作。

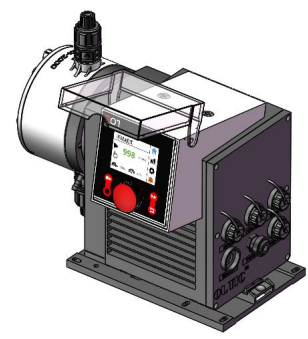
After turning 90°, fasten the control module with a screwdriver. To facilitate the operation of the runtime.

E01双机1号立式总成安装 Wall mounted installation



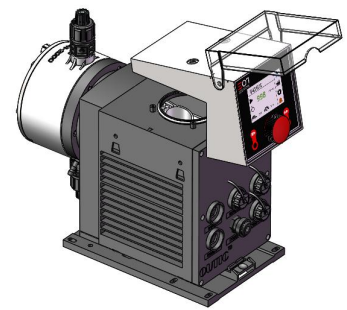
STEP 2

从包装盒内取出E01单机模块，并将其卡入机架固定座上。
Take E01 module out of the packaging box and clip it into the rack fixing seat.



STEP 3

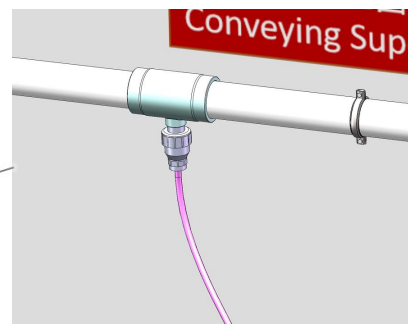
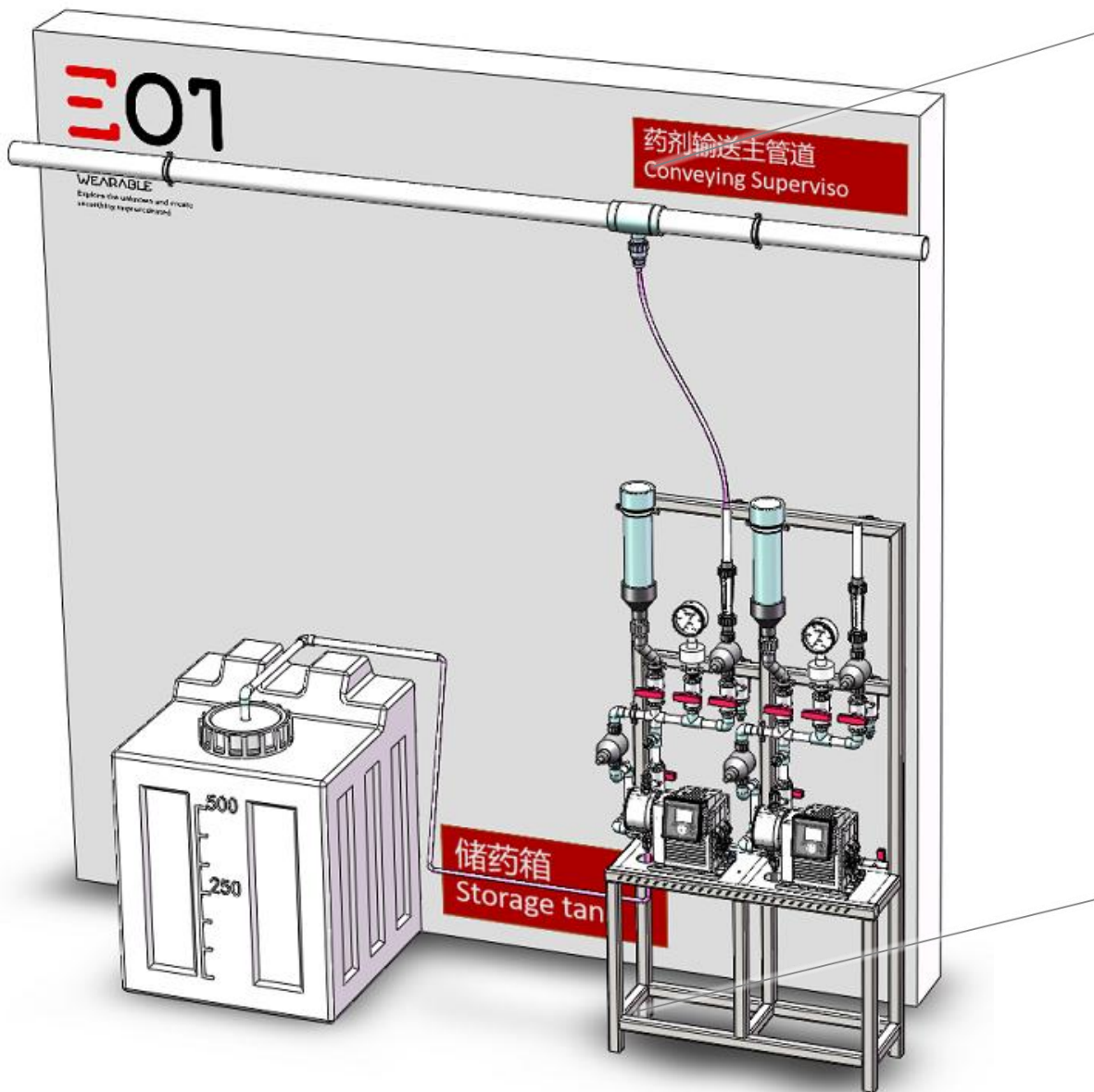
使用螺丝刀将控制模块紧固螺栓拧出，轻轻向上将其抬高5cm左右，注意切勿将连接线缆拉断。
Screw out the control module fastening bolts with a screwdriver, Gently lift it up by about 5cm, and be careful not to Disconnect the connecting cable.



STEP 4

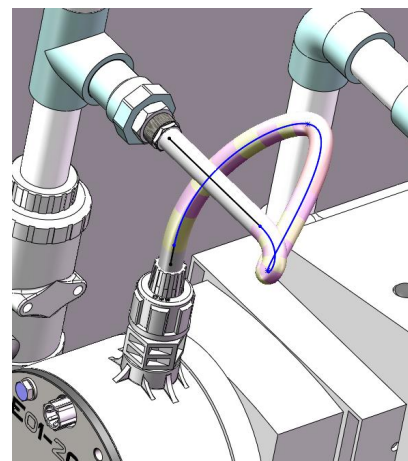
旋转90°后，使用螺丝刀将控制模块紧固。以方便使用运行时的操作。
After turning 90°, fasten the control module with a screwdriver. To facilitate the operation of the runtime.

E01双机1号立式总成安装 Wall mounted installation



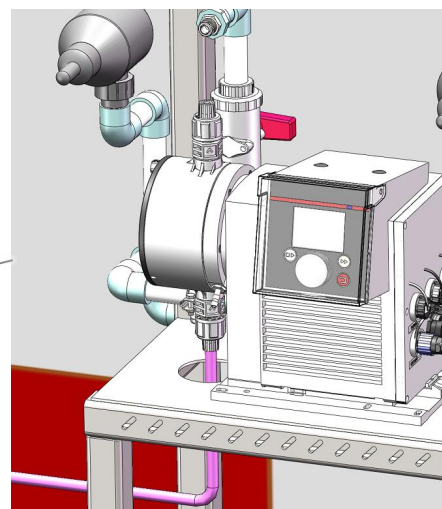
STEP5

将出药管接入药剂输送主管
Connect the chemical pipe of E01 pump
to the main chemical delivery pipe



STEP6

将泵输出接口接入机架输入口
Connect the drug suction pipe of the E01
pump with the filter bottom valve and
place it at the bottom of the drug tank

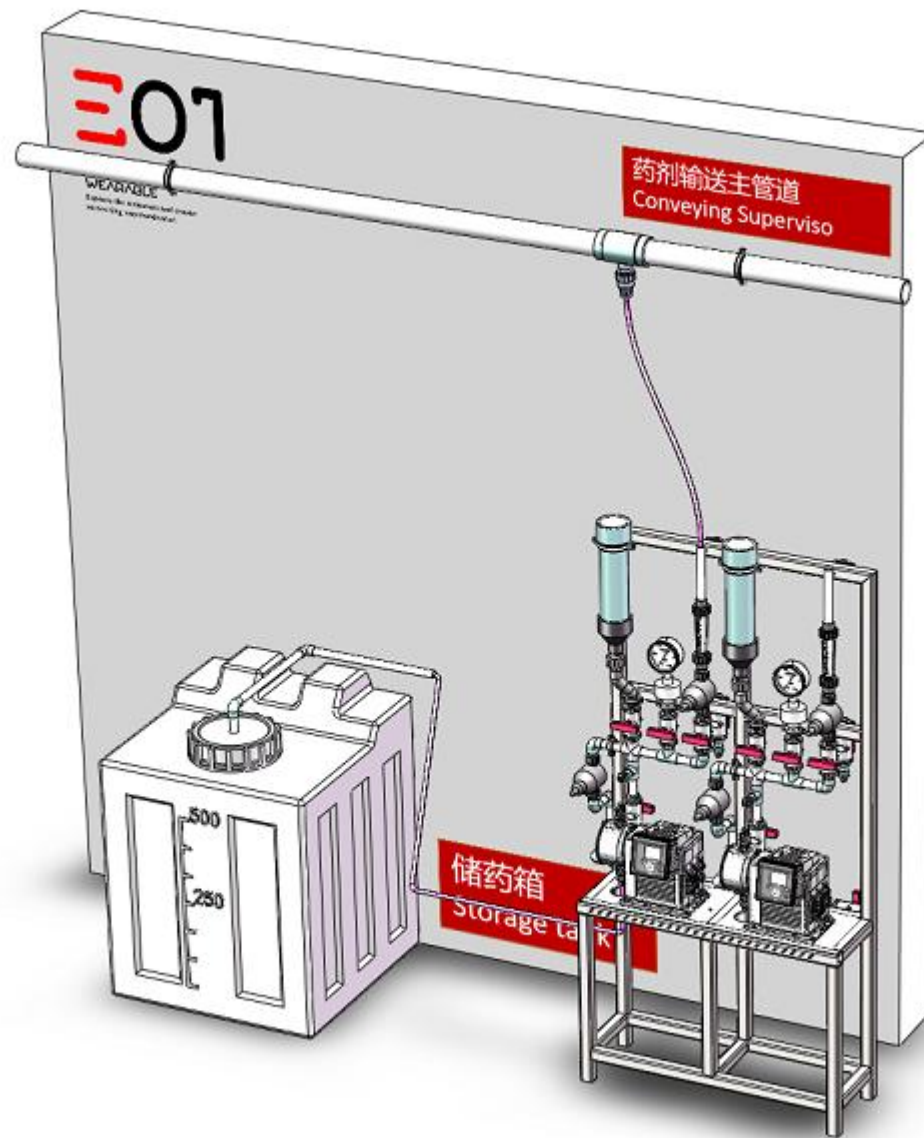


STEP7

接入吸药管道至储药箱内
Connect the drug suction pipe of the E01
pump with the filter bottom valve and
place it at the bottom of the drug tank

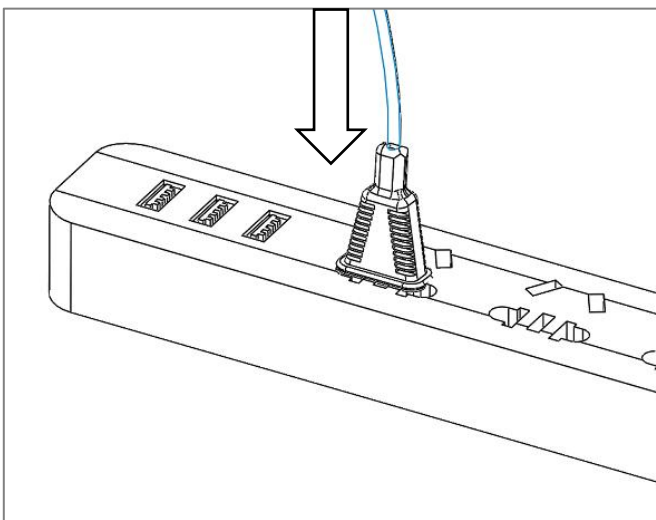
E01双机1号立式总成安装
Wall mounted installation

安装完成图
Installation
completion drawing



E01双机1号立式总成安装

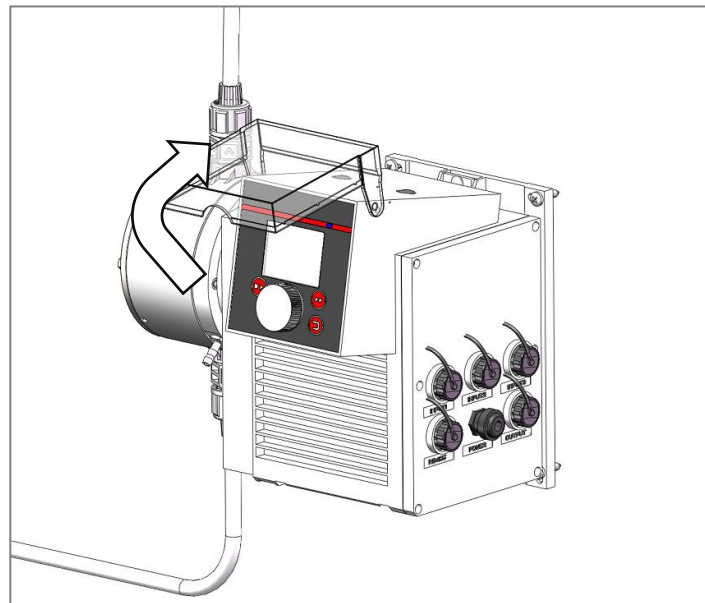
Wall mounted installation



STEP8

将插头接入220Vac电源

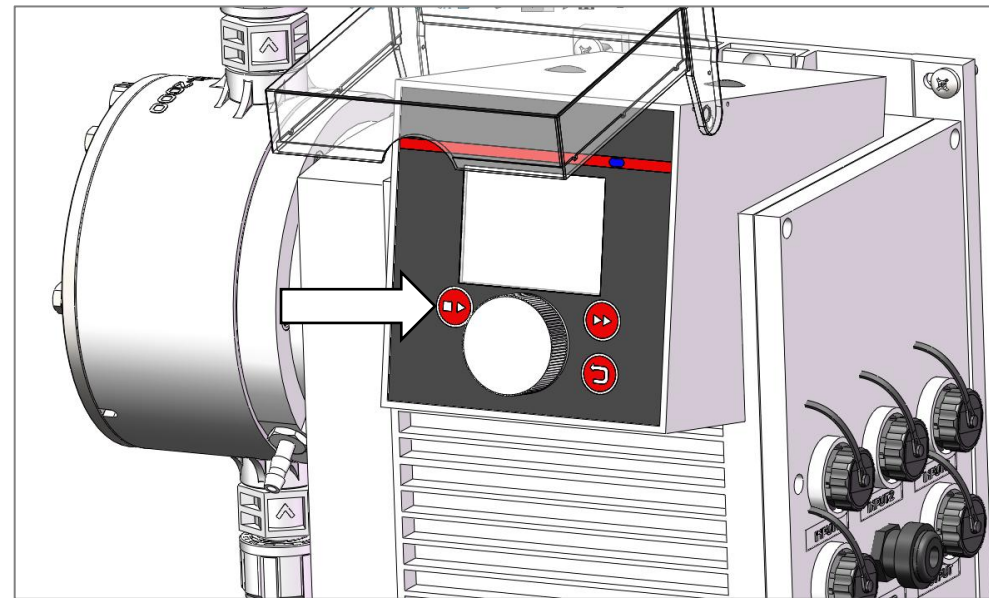
Connect the plug to 220VAC power supply



STEP9

打开防水罩

Open the waterproof cover



STEP10

按下运行启动按钮，设备开始运行

Press the run start button

注：第一次运行由于吸药管为空，因此可按下快速启动键，让药剂快速吸满管道。

OUTICTM