

EO1

单机1号总成快速使用指南
Quick installation instructions

OUTIC™

浙江奥泰克自动化技术有限公司
Zhe Jiang OUTIC Technology Co., Ltd

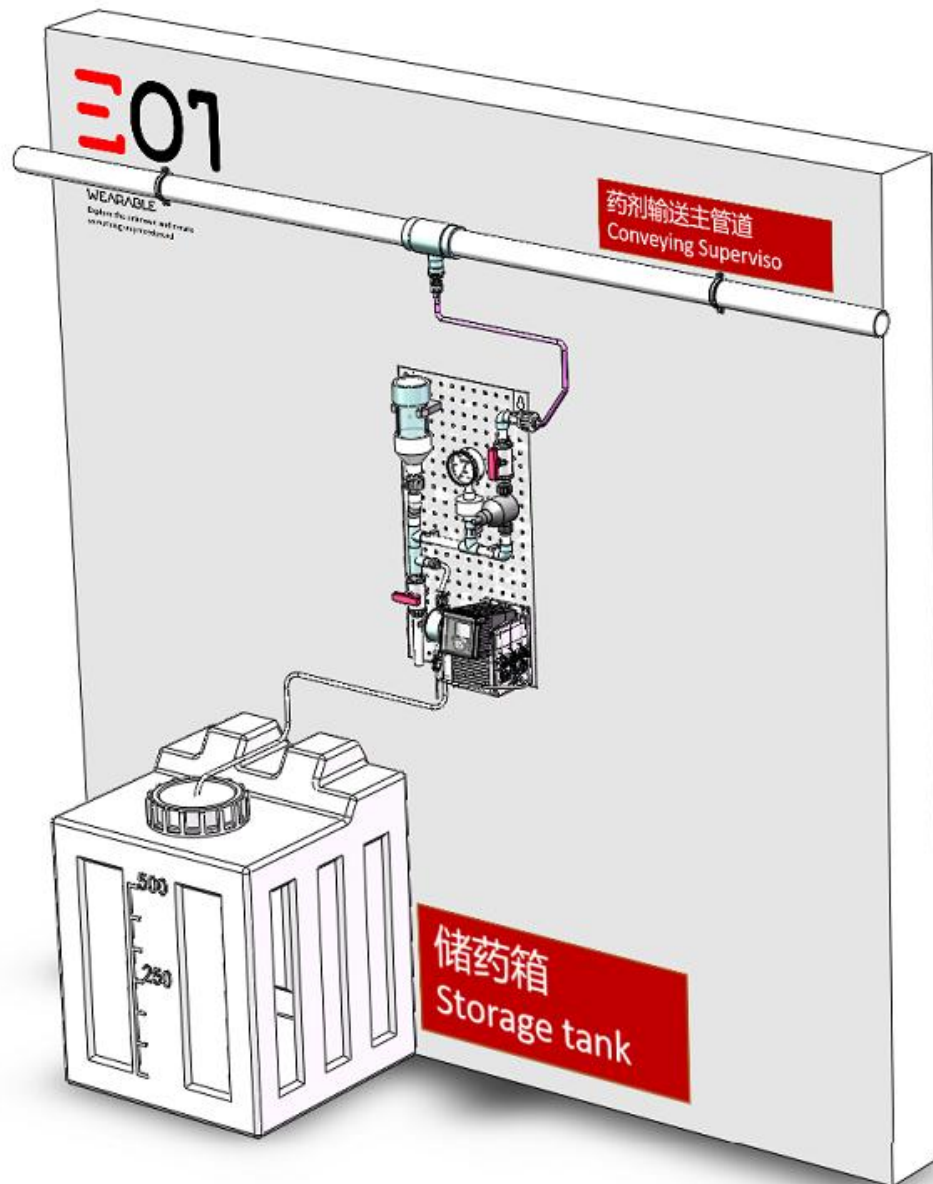
E01单机1号总成壁挂安装 Wall mounted installation

STEP 1

将电微分泵单机1号总成
使用膨胀螺栓固定在墙面
Secure E01 pump to the retainer plate
Install next to the medicine storage box

STEP 2

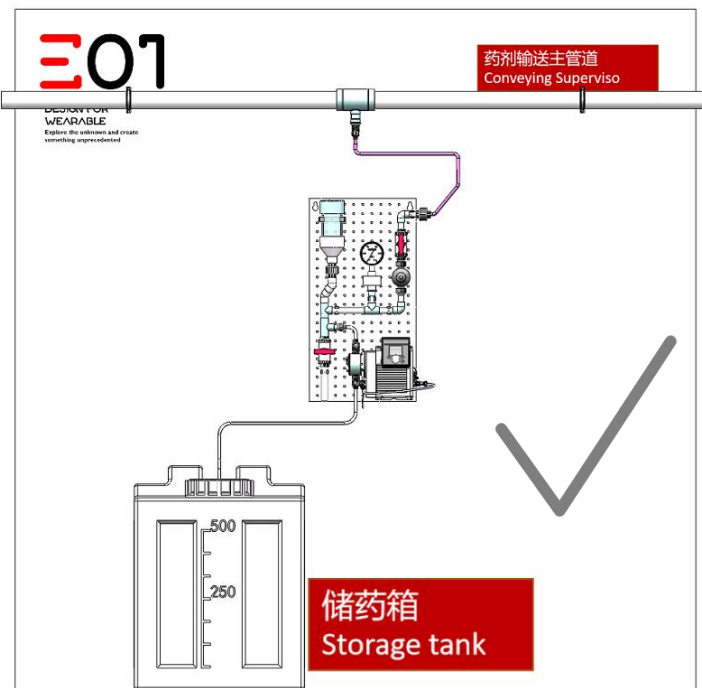
将储药箱置于E01下部或旁边，高差<1米
水平距离2米内
Place the medicine storage box under or
next to E01, and the height difference
is < 1m Within 2 meters



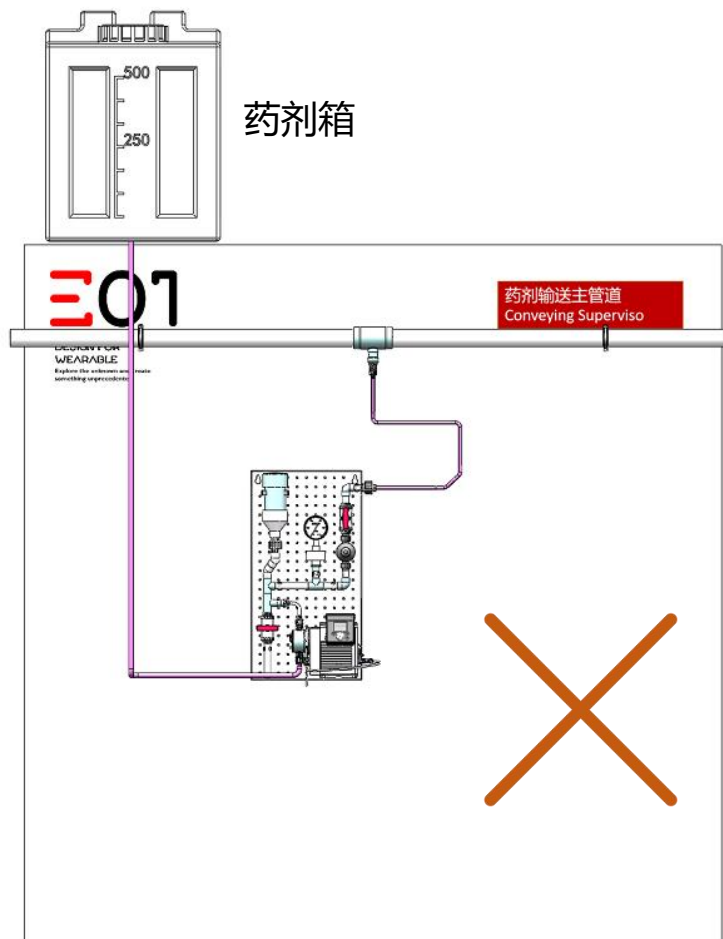
安装完成图
Installation
completion drawing



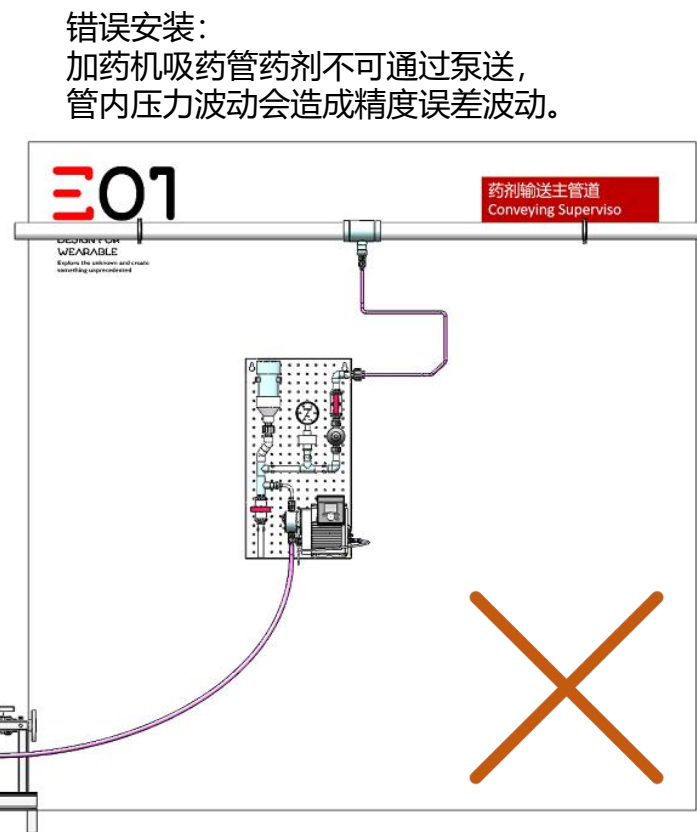
安装注意



正确安装：
药剂箱液位在加药机吸药口下端1米内距离

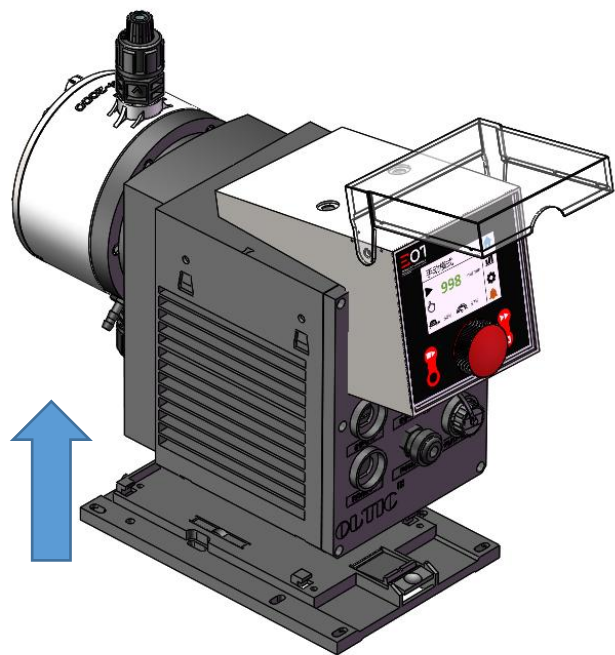


错误安装：
药剂箱液位在加药机吸药口上部>5米高度
液位高度差变化会对造成精度波动。
底部药液杂质会导致设备堵塞。

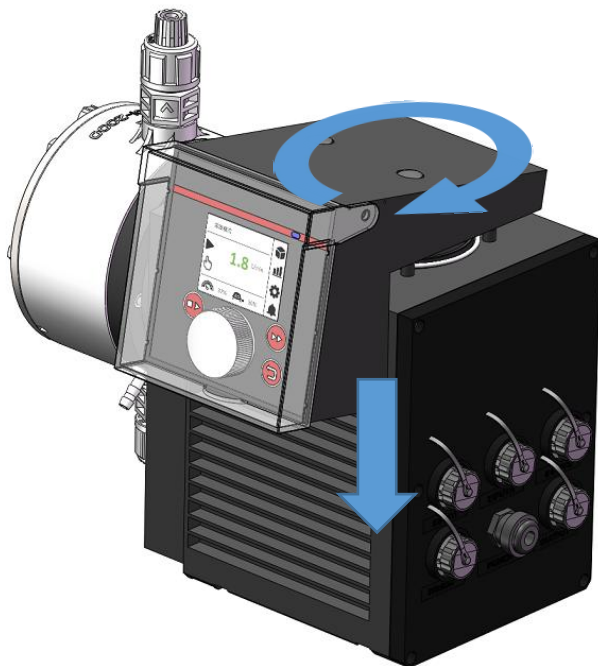


错误安装：
加药机吸药管药剂不可通过泵送，
管内压力波动会造成精度误差波动。

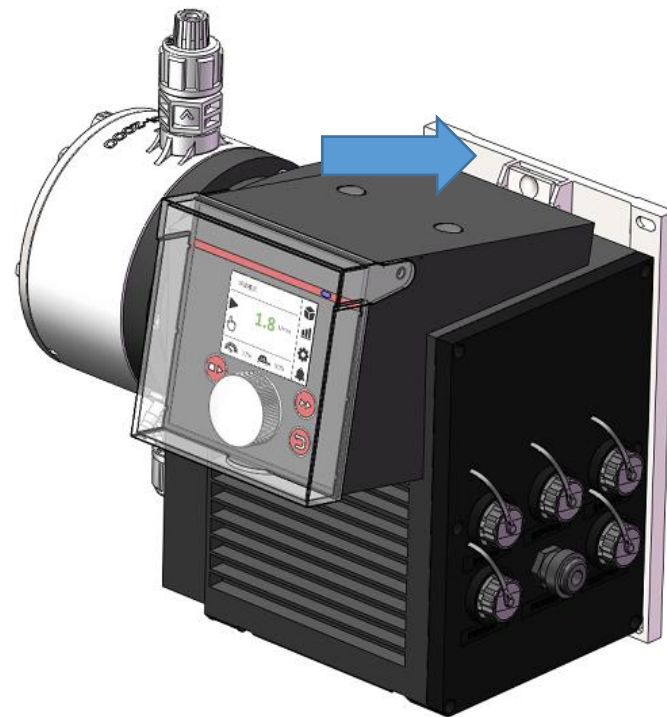
E1号壁挂总成安装 Wall mounted installation



STEP3 从包装盒内取出E01单机模块，并将固定座取下。
Take E01 module out of the packaging box and clip it into the rack fixing seat.



STEP4 使用螺丝刀将控制模块紧固螺栓拧出，轻轻向上将其抬高5cm左右，旋转9°后按下，使用螺丝固定。
Screw out the control module fastening bolts with a screwdriver, Gently lift it up by about 5cm, and be careful not to Disconnect the connecting cable.

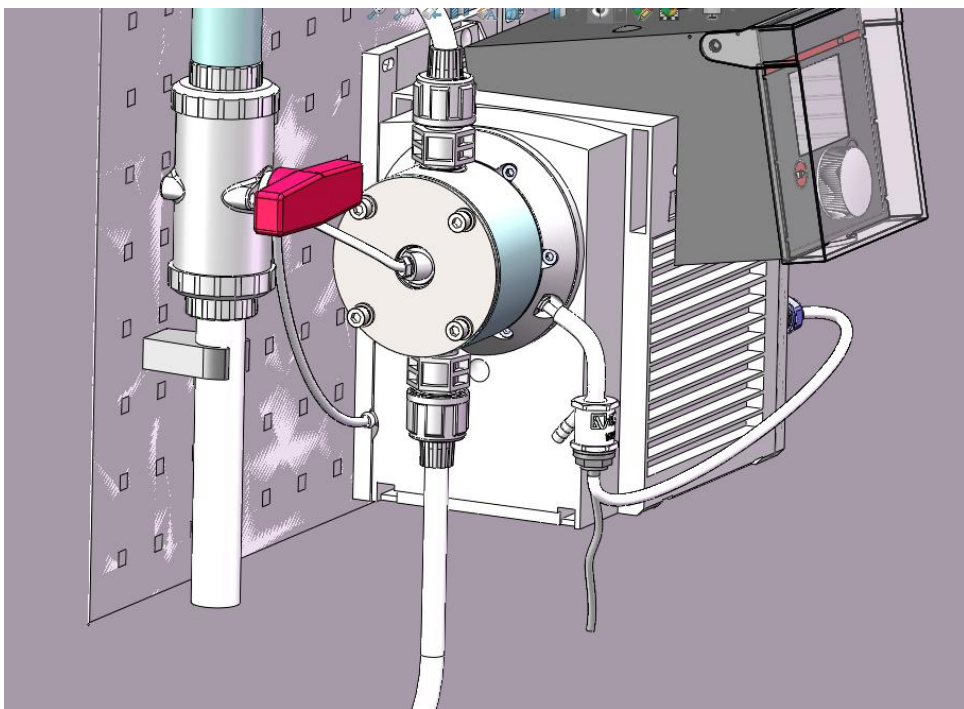


STEP5 安置固定至壁挂总成的固定挂板上。
After turning 90 °, fasten the control module with a screwdriver. To facilitate the operation of the runtime.

E01单机1号总成壁挂安装 Wall mounted installation

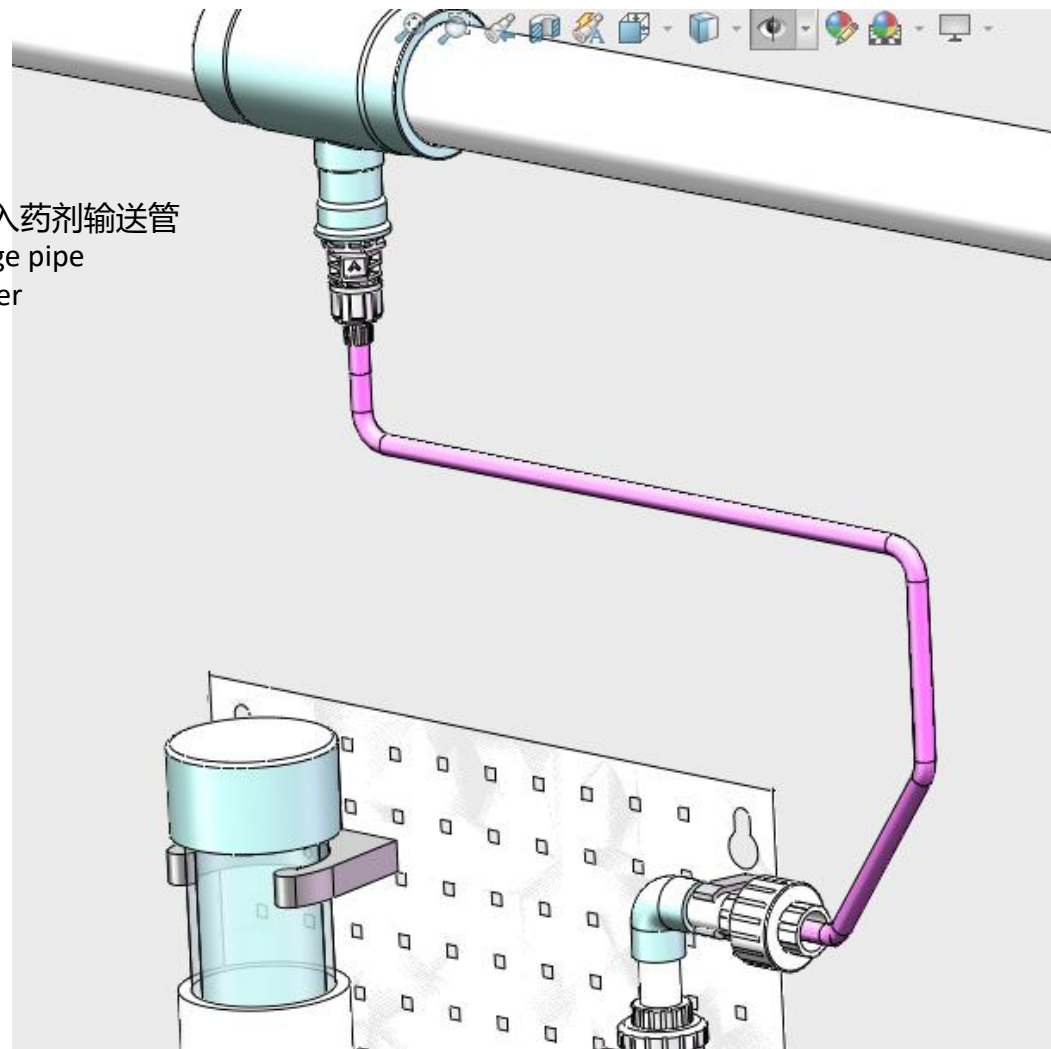
STEP6

将进出软管接入E01泵进出口
Connect the inlet and outlet hose to
the inlet and outlet of E01 pump

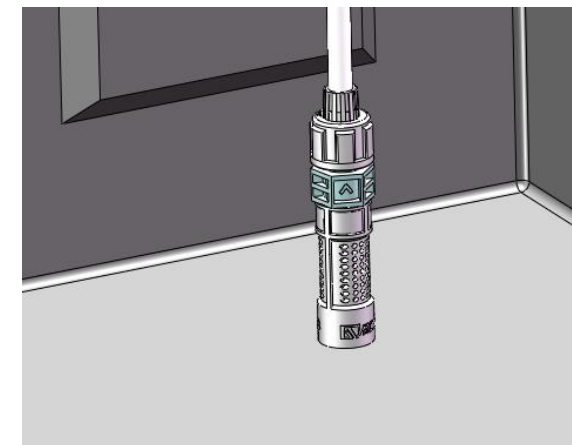
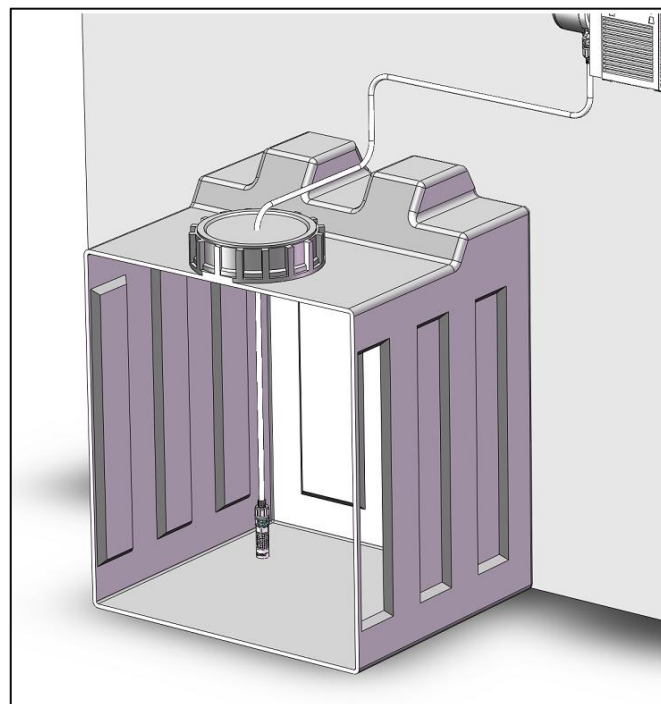
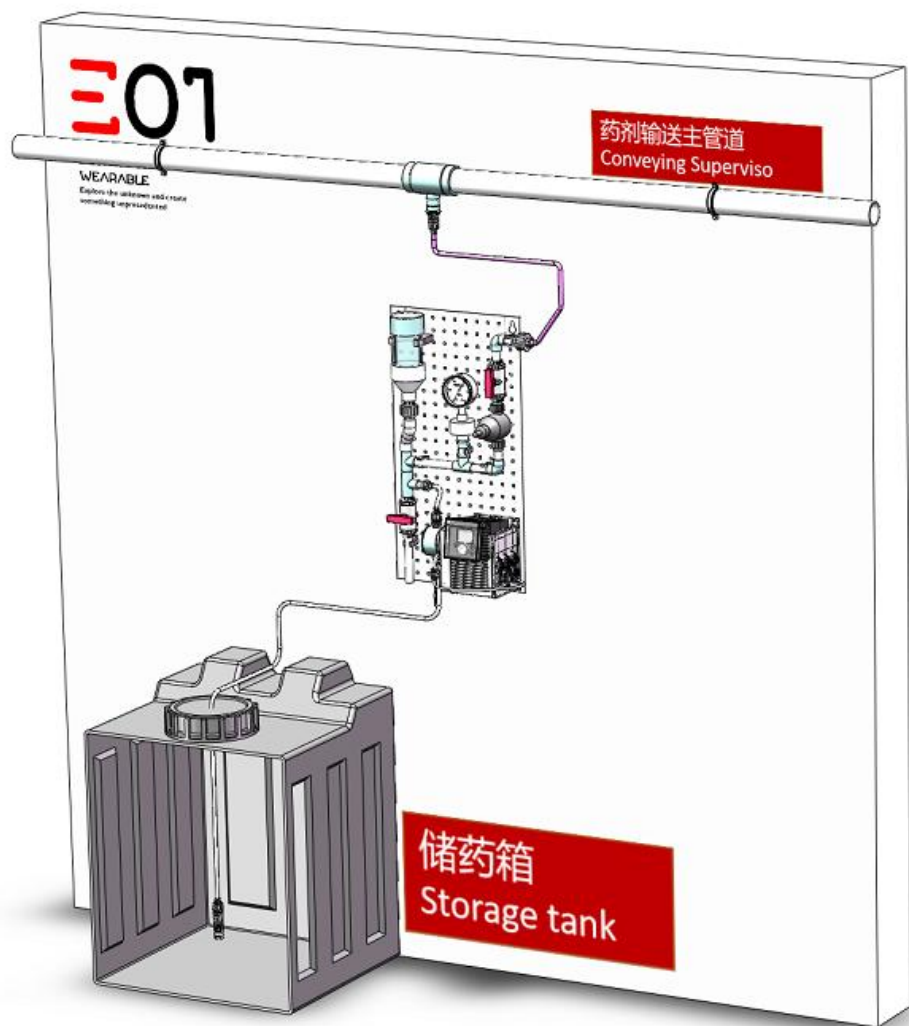


STEP7

将出加药机出药口入药剂输送管
Connect the discharge pipe
to the reagent header



E01单机1号总成壁挂安装
Wall mounted installation

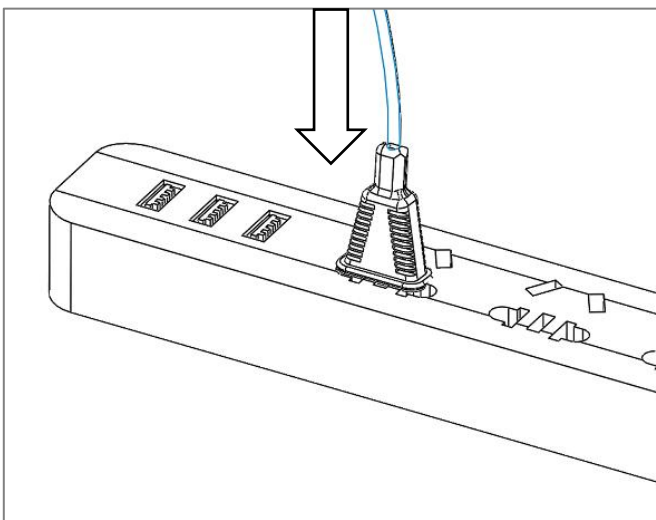


STEP 8

将电微分泵吸药管接驳过滤底阀
后置入药剂箱底部

Connect the drug suction pipe of the E01 pump
with the filter bottom valve and place it at the
bottom of the drug tank

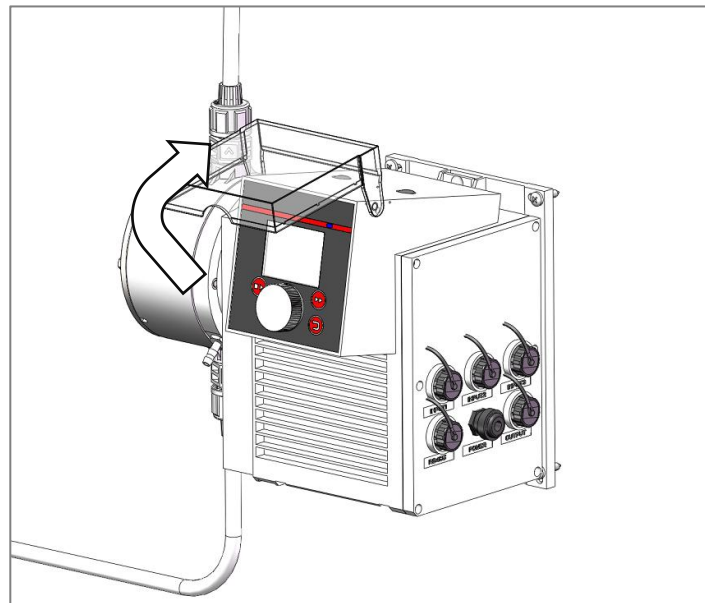
E01单机1号总成壁挂安装
Wall mounted installation



STEP9

将插头接入220Vac电源

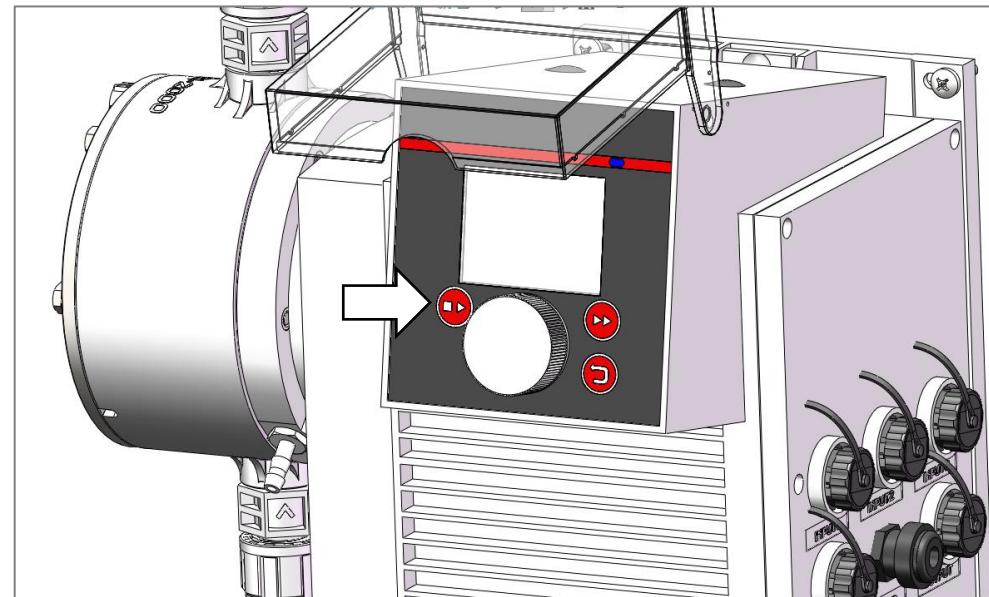
Connect the plug to 220VAC power supply



STEP10

打开防水罩

Open the waterproof cover



STEP11

按下运行启动按钮，设备开始运行

Press the run start button

注：第一次运行由于吸药管为空，因此可按下快速启动键，让药剂快速吸满管道。

OUTIC™